

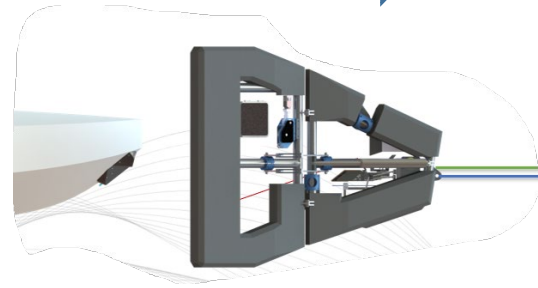
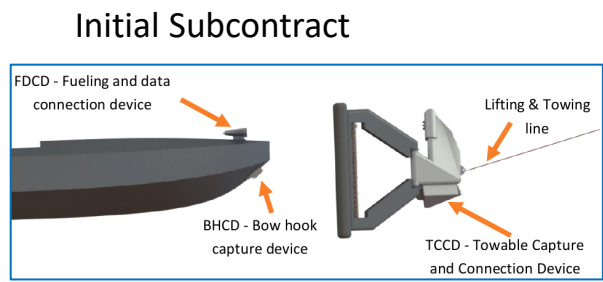
Unmanned Maritime Systems: Autonomous Replenishment *SDMT & ET Joint Panel Meeting*

Project Manager: Ron McClellan
Program Technical Representative: Amitai Peleg

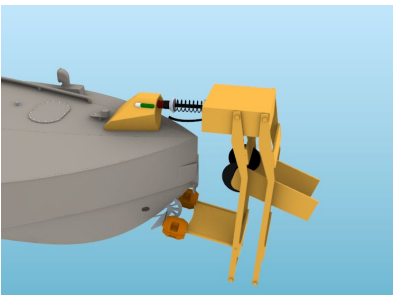
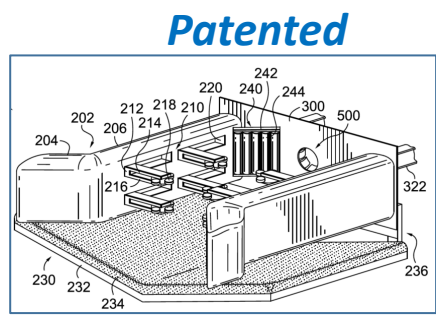
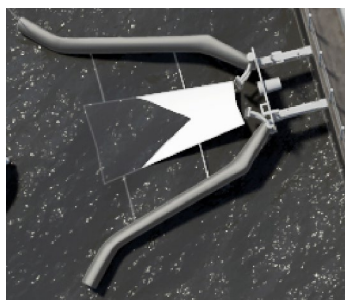
May 5th and 6th, 2026
SWRi – San Antonio TX

Progression

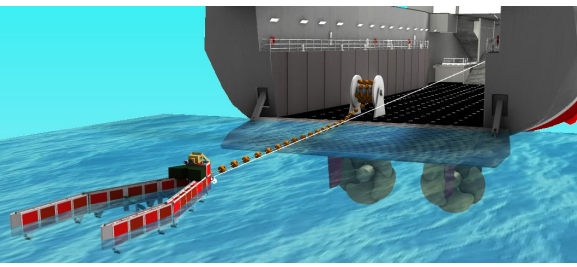
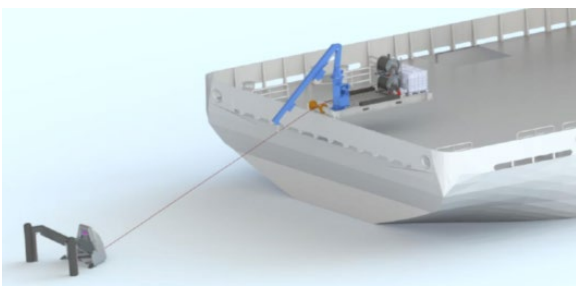
ONR BAA ORADTS
Develop autonomous capture, refuel, & data transfer system



2016 2017 2019 2022 2023 2024 2025



Initial Concept ICD



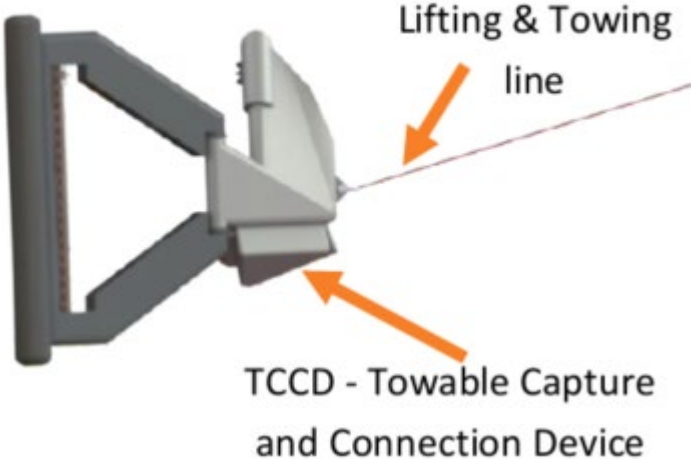
General Concept of SEALARTEC Design

Autonomous USV Refueling At Sea

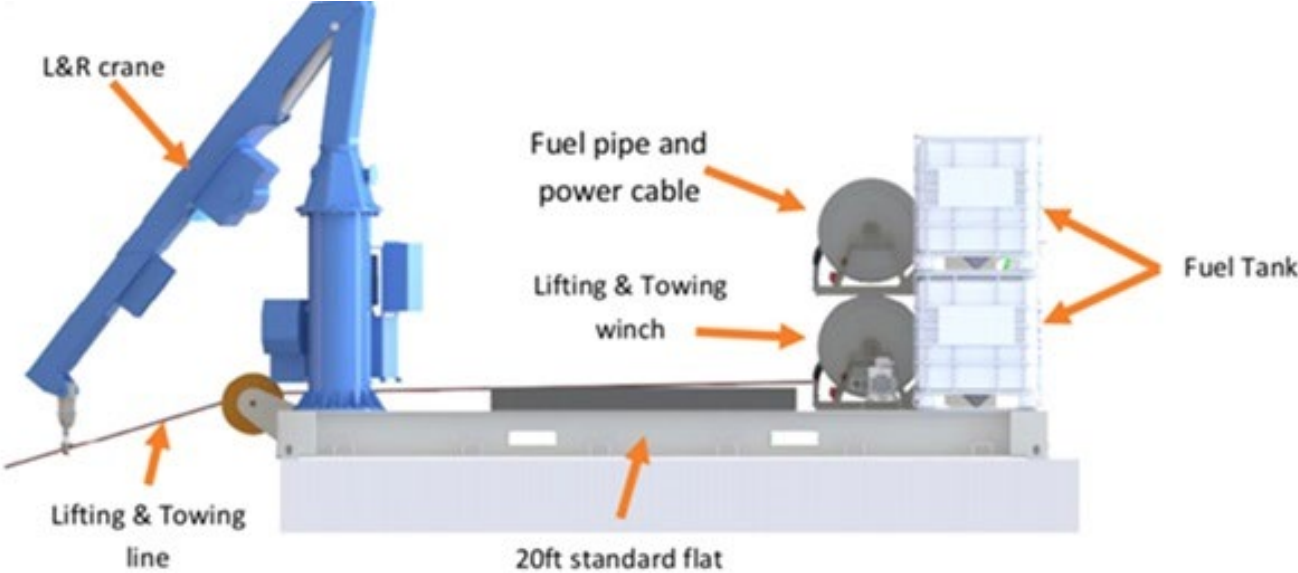


SEALARTEC

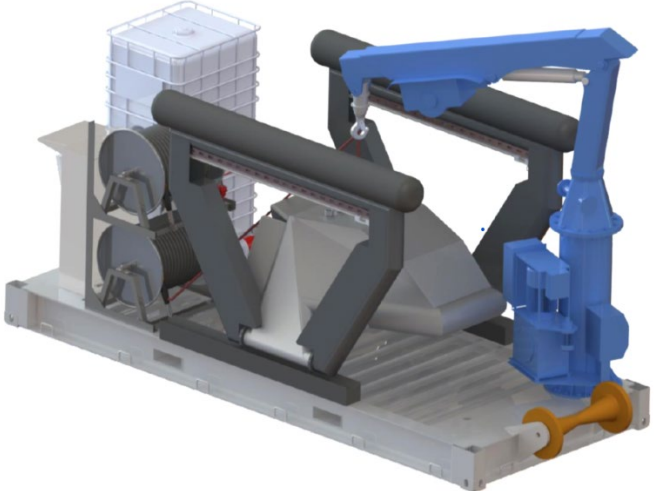
Major components



Connection or "in water" component



Shipboard component



Stowed Configuration

Advancing the State of USV Replenishment HII - SEALARTEC

