

**NSRP Crosscut Initiatives Panel Brief**  
**August 5, 2010 – Seattle, WA**

**NAVSEA Corporate Initiative for Training, Leadership  
and Workforce Development**

**Russ Shippet**  
**Naval Shipyard Deputy Training Director**  
**NAVSEA 04XR**

# NAVSEA Training Structure



- **Naval Shipyard Training and Education Program (NSTEP)**
  - **Shipyard Training Council**
  - **NSTEP Governance and Admin Documents**
- **Naval Shipyard Leadership Development (NSLD)**
  - **Command University**
- **Central Design Group (CDG)/Nuclear Training Council (NTC)**
  - **Instructional System Designers (ISDs)**
    - **Shipyard Instructional Design Center (SIDC)**
    - **Fleet Management Support Branch (FMSB)**

# NSTEP INTEGRATED GOVERNANCE MATRIX

**SEA04XR Program Manager**

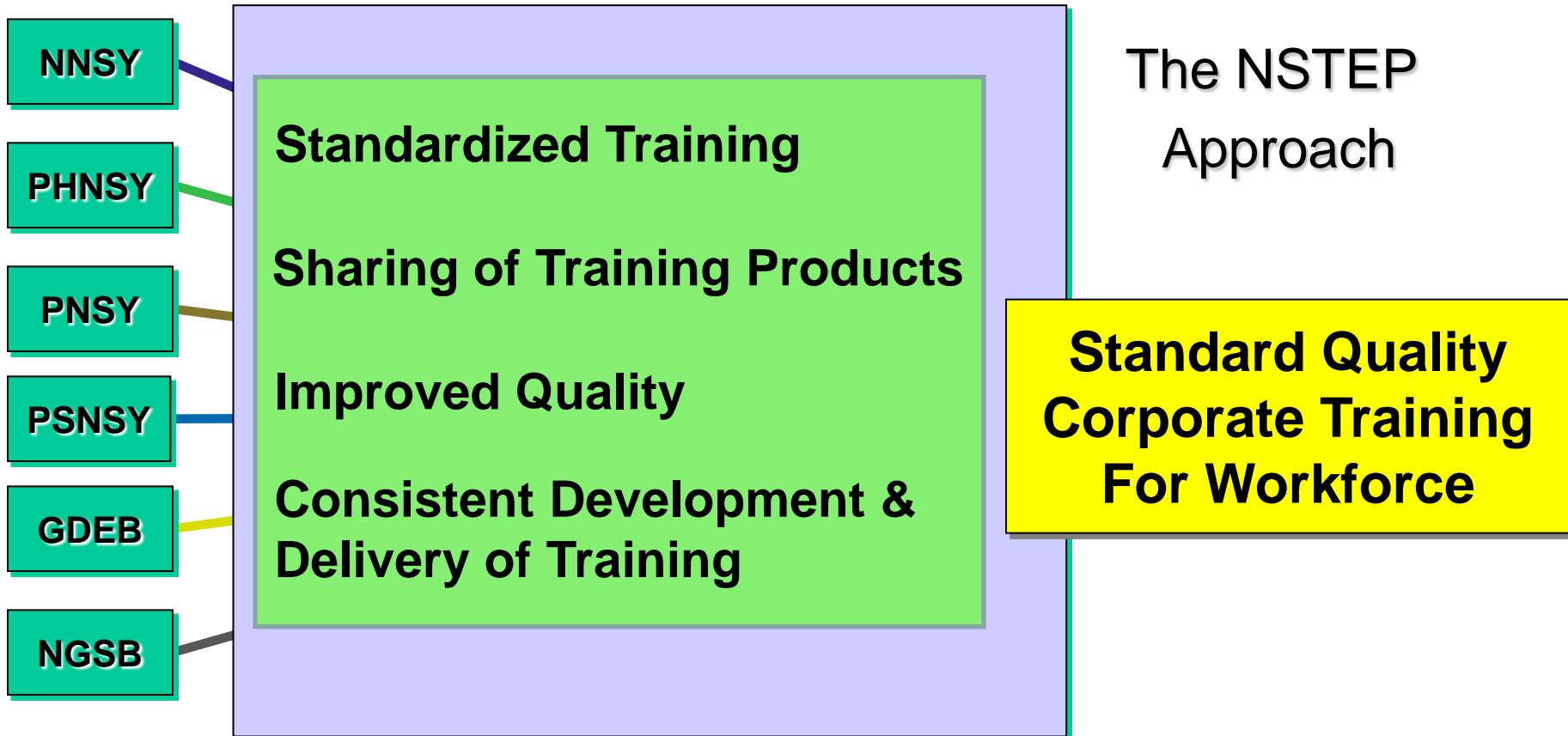
*NSTD/Deputy NSTD* ★

★ **Lead**

**Governing Bodies**

<u>NNSY</u>	<u>PNSY</u>	<u>PSNSY</u>	<u>PHNSY</u>	<u>As Req'd</u>	
STCC	STCC	STCC	STCC	04X, 08X, GDEB, NGSB	← NSTEP (STCCs) Management Board
Command U	Command U	Code 300 ★ Command U	Shipyard U	SY Depts / Partners, NVSS	← NSLD Management Board
CVN/SSN PM's / C300.1 NPMT Dir.	CVN/SSN PM's / C300.1	CVN/SSN PM's / C300.1	CVN/SSN PM's / C300.1	04XC, 04XU, 04XO, NVSS ★	← PMF/IPTD Management Board

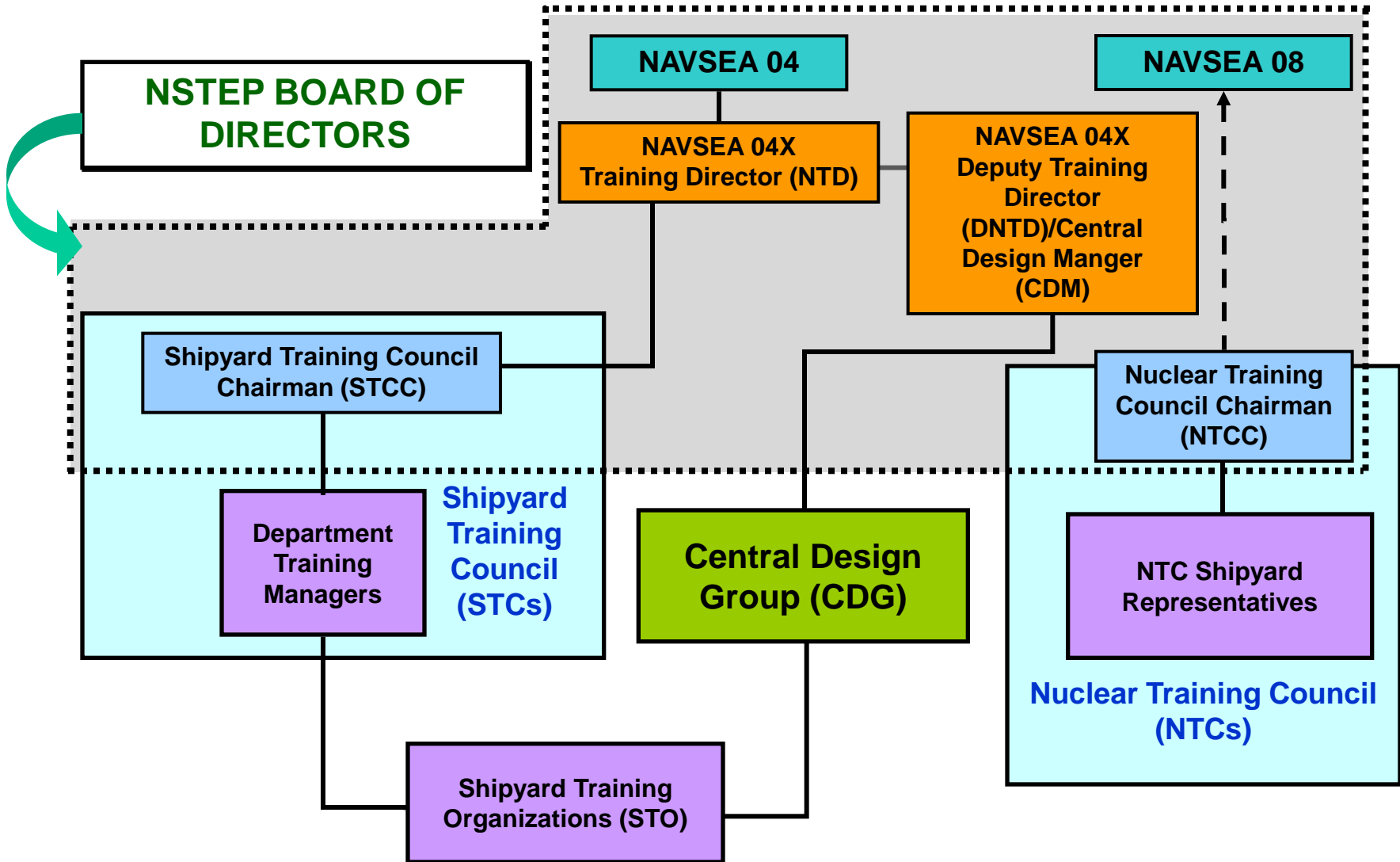
# Naval Shipyard Training and Education Program (NSTEP)



# Naval Shipyard Training and Education Program (NSTEP)



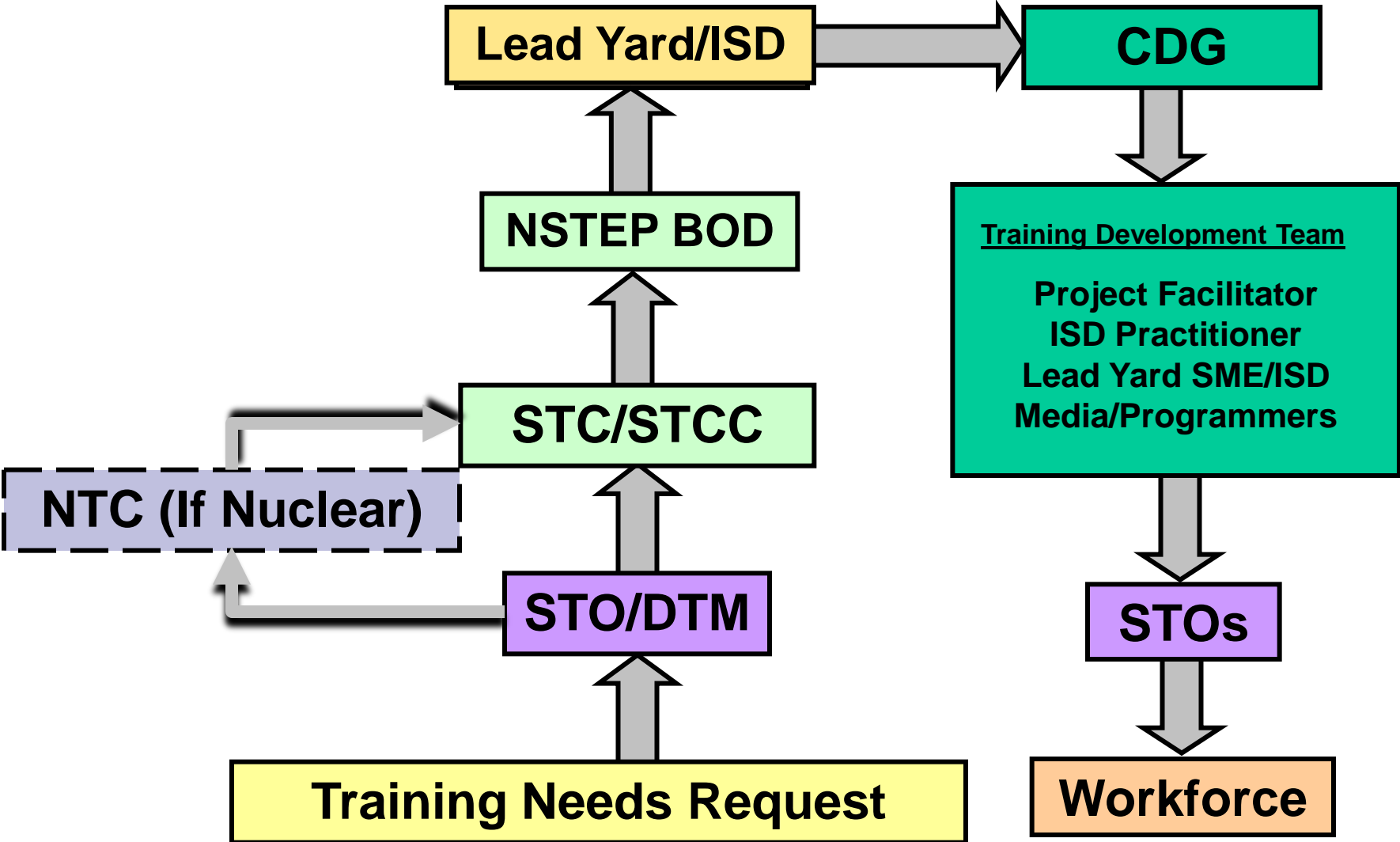
## THE NSTEP ORGANIZATION



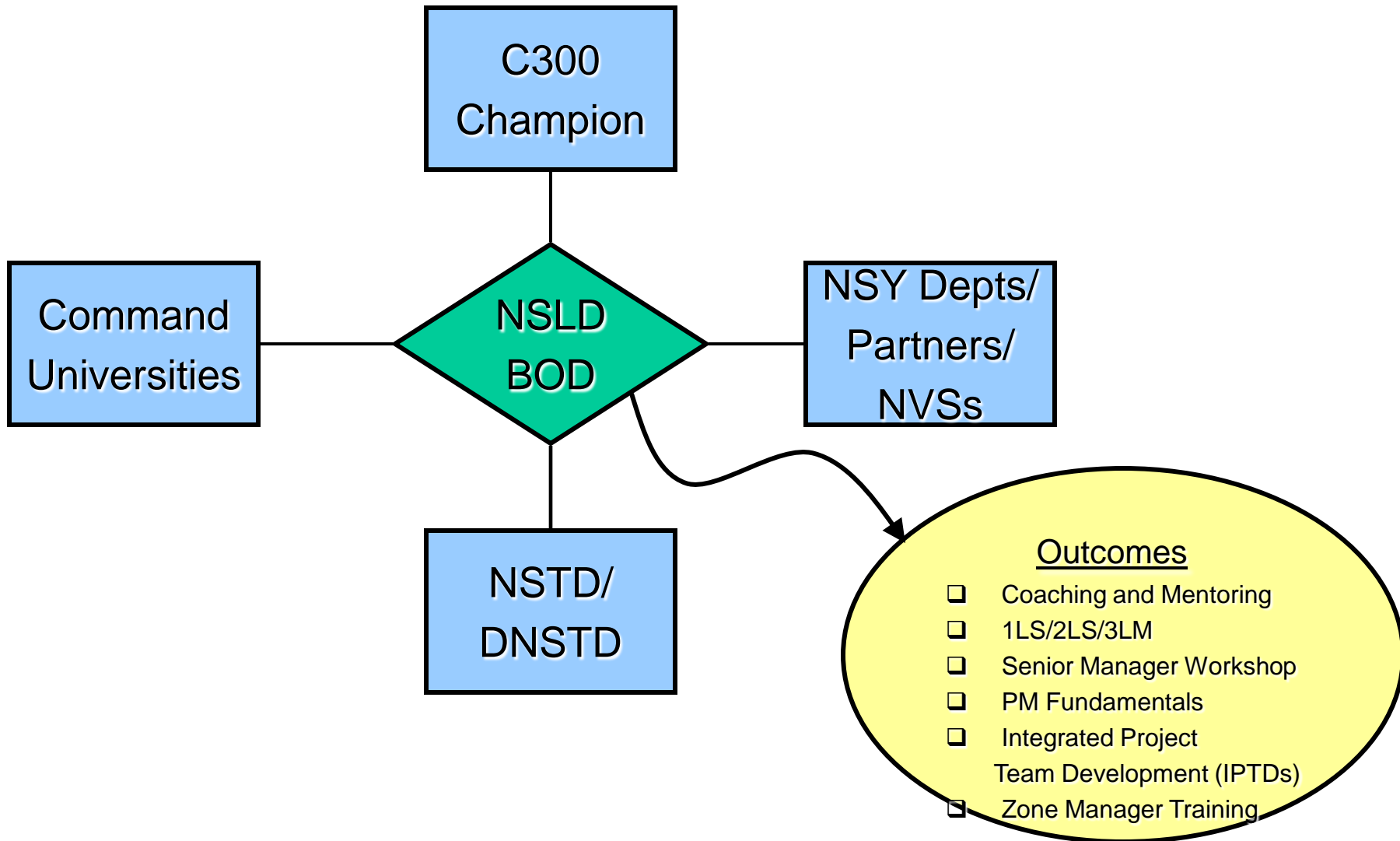
# Naval Shipyard Training and Education Program (NSTEP)



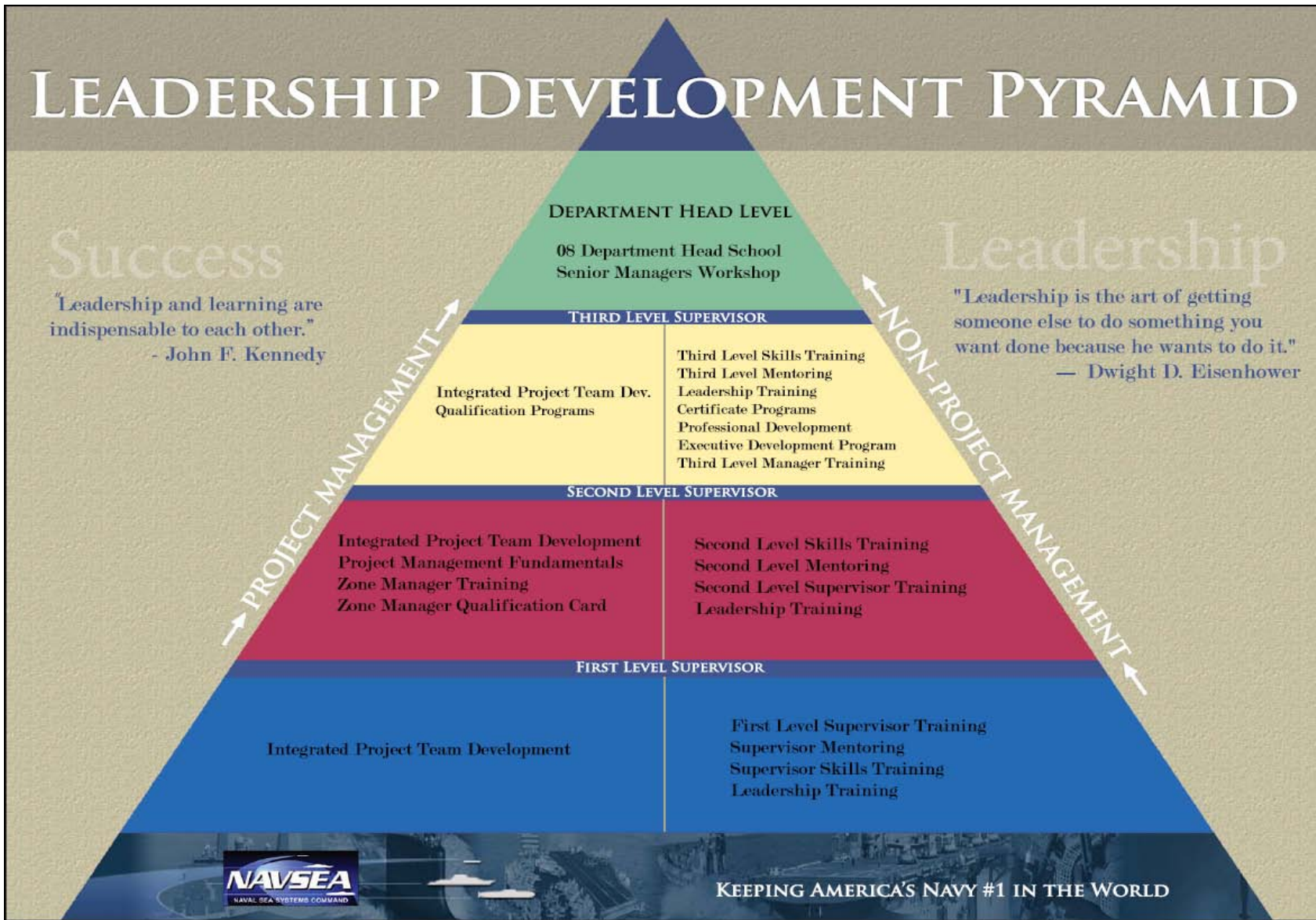
## HOW DOES CORPORATE TRAINING GET DEVELOPED?



## THE NSLD ORGANIZATION



# Naval Shipyard Leadership Development (NSLD)



# CENTRAL DESIGN GROUP (CDG)

## CDG STRUCTURE

